

Reflective Edge Light Marker (RELM) 1200

Applications

The Reflective Edge Light Marker (RELM) is designed to provide superior visibility, day or night, to all types of runway, taxiway and helipad edge lights. The RELM's bright, full-length, retro-reflective fluorescent color gives all airport users clear visibility of each light location at extreme distances, whether the light is on or off. The RELM aids in snow plowing operations by identifying lights covered in snow - providing a clear line for clearing operations.

RELM construction consists of a high grade polyethylene tube, spring loaded at the base and mounted to a rust resistant, heavy duty bracket adapted to any fixture type. The polyethylene tube is covered with a retro-reflective fluorescent sleeve which is fastened by means of a through tie to prevent even minimal slippage due to extreme wind velocities or jet blasts.

Features

- Increases safety by providing superior visibility, day or night, to airport and heliport edge lights
- Decreases costs by eliminating snow plow and vehicle collisions with edge lights
- Aids in snow plowing operations by identifying lights covered in snow and providing a clear line for clearing operations
- Gives all airport users clear visibility of each light location at extreme distances
- Fluorescent color provides day and night visibility
- Made from a prismatic retro-reflective fluorescent PVC material on its full-length
- Spring loaded base minimizes damage in the event of a collision

Specifications

- Visible Distance: Average of 1,640 ft (500 m) day or night
- Standard Colors: Orange, Blue
- Body: High grade polyethylene UV stabilized
- Reflective Strip: Removable reflective sleeve - outer sheath
- Mounting Accessories: Stake, polyethylene base, galvanized steel floor flange
- Heights: 18", 24" (standard), 36"
- Frangible: Body and mounting accessories
- Weather Proof: Resistant to rain, snow, ice
- Temperature Range: Remains flexible through high/low temperature extremes
- Wind Load: 125 mph (200 kph)
- Warranty: 1 year



Mounting Styles:
Flat bracket (left), bent bracket (middle), no bracket (right)



Flat bracket for mounting to base plate (left), bent bracket for mounting to light (right).

Ordering Codes

Model	Length	Mounting Style	Color
RELM-1200	18: 18"*	A: Flat bracket for mounting to base plate B: Bent bracket for mounting to light C: No bracket	O: Orange
	24: 24"*		B: Blue
	36: 36"*		FG: Fluorescent Green* FLY: Fluorescent Lime Yellow* FP: Fluorescent Pink* FRO: Fluorescent Red Orange* R: Red* W: White* Y: Yellow*

* Special order, minimums apply.

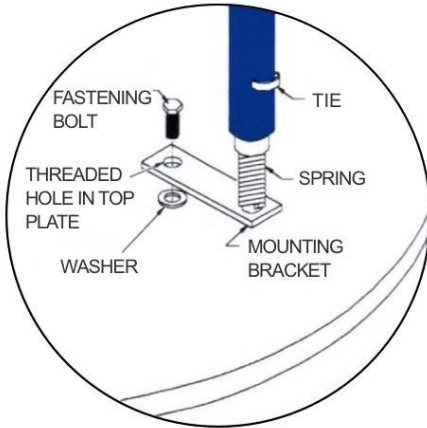
+1.800.806.3548 USA
+1.916.394.2800 Worldwide

www.flightlight.com
sales@flightlight.com

Flight Light Inc., 2708 47th Ave.
Sacramento, CA, 95822, USA

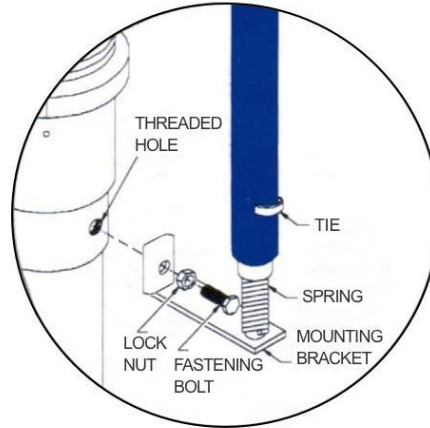
Mounting Style "A"

Flat bracket for mounting to base plate.



Mounting Style "B"

Bent bracket for mounting to light.



Mounting Style "C"

No bracket.

