

# Q-Explosion Proof Wind Direction Indicator (WDI)

## Certificates



## Applications

The internally lit Q-Explosion Proof Wind Direction Indicator (WDI) comes as a full LED solution. The complete SS316 exterior and 360° rotatable top unit makes this wind direction indicator suitable for all offshore applications.

## Technical Specifications

- Application: Helideck
- Hazardous Area: Zone 1 and 2
- Classification: Class 1 and 2
- Assembly: Internally lit with obstruction light
- Internal Light Source: LED, steady burning, color white, 5000K
- Obstruction Light Source: LED, steady burning, color red, 630 nm
- Lighting Unit Material: SS316
- Obstruction Light: Q81R101, Q-Obstruction Light Low Intensity 32 cd
- Mast Specification: SS316, Ø3" x .08" (Ø76x2mm)
- Mast Length (Y)\*: 11.8" - 236.2" (300 - 6000mm)
- Mounting: SS316 Flange, DN65, 4x M16
- Tiltable: No
- Windsock Frame (X)\*\*: SS316. Rotating Frame and Hoop
- Input Voltage: 1) 100-240 VAC, 50-60 Hz  
2) 24 VDC
- Ambient Temp: -4°F to +140°F (-20°C to +60°C)
- In Compliance With: CAP437/ ICAO, Annex 14 vol. II
- Consumption: 26 Watt
- Life Expectancy: 100,000+ hours
- Warranty: Internally lit Mast 2 Years, Windsock 6 Months
- IP Index: IP 66
- Mast Length: Up to 19.7' (6m)
- Windsock Color: Red/White Striped or Orange
- Windsock Sizes (Windsock NOT included):
  - Ø11.8" x 3.9' (Ø30 x 120cm)
  - Ø17.7" x 8.2' (Ø45 x 250cm)
  - Ø19.7" x 4.9' (Ø50 x 150cm)
  - Ø23.6" x 7.9' (Ø60 x 240cm)

\* Mast length can be any length greater than 1' (.3m).

\*\* Windsock frame must match the windsock size.



## Ordering Codes

| Part Number  | Input Power                                 |
|--|---|
| <b>Q23EL91:</b> Q-Explosion Proof Wind Direction Indicator (WDI) | <b>11:</b> 100-240 VAC<br><b>12:</b> 24 VDC |

+1.800.806.3548 USA  
+1.916.394.2800 Worldwide

[www.flightlight.com](http://www.flightlight.com)  
[sales@flightlight.com](mailto:sales@flightlight.com)

Flight Light Inc., 2708 47th Ave.  
Sacramento, CA, 95822, USA

## Replacement Parts

### Wind Direction Indicator Mast:

- Mast Type: Stainless Steel SS316 (SS), Aluminum (AL), Red/White Coated (RW), Orange Coated (OR).

| Part Number | Description   |
|-------------|---|
| WDIM03xx*   | 1.0' (.3m) Mast for Wind Direction Indicator (Standard) |
| WDIM30xx*   | 9.8' (3m) Mast for Wind Direction Indicator             |
| WDIM40xx*   | 13.1' (4m) Mast for Wind Direction Indicator            |
| WDIM50xx*   | 16.4' (5m) Mast for Wind Direction Indicator            |
| WDIM60xx*   | 19.7' (6m) Mast for Wind Direction Indicator            |

\* xx: Stainless Steel SS316 (SS), Aluminum (AL), Red/White Coated (RW), Orange Coated (OR).

### Wind Direction Indicator Frame:

- Stainless Steel SS316 Only

| Part Number | Description  |
|-------------|--|
| Q23WSF30    | Windsock Frame SS316 for Q-Windsock Ø11.8" x 3.9' (Ø30 x 120cm)        |
| Q23WSF45    | Windsock Frame SS316 for Q-Windsock Ø17.7" x 8.2' (Ø45 x 250cm)        |
| Q23WSF50    | Windsock Frame SS316 for Q-Windsock Ø19.7" x 4.9' (Ø50 x 150cm)        |
| Q23WSF60    | Windsock Frame SS316 for Q-Windsock Ø23.6" x 7.9' (Ø60 x 240cm)        |
| Q23WSF90    | Windsock Frame SS316 for Q-Windsock Ø35.4" x 12'/12.3' (Ø90x366/375cm) |

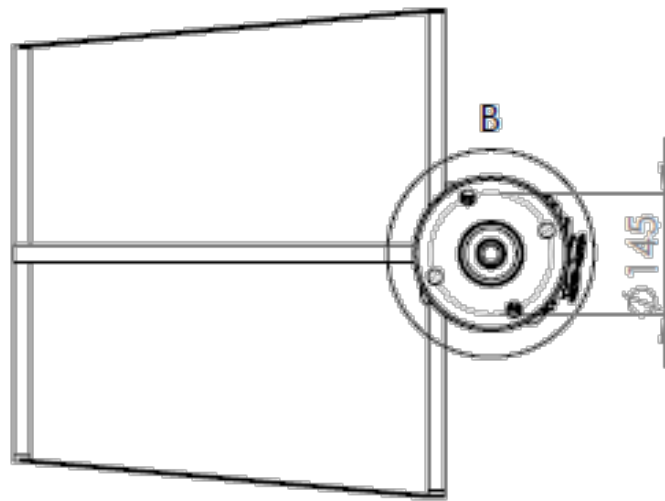
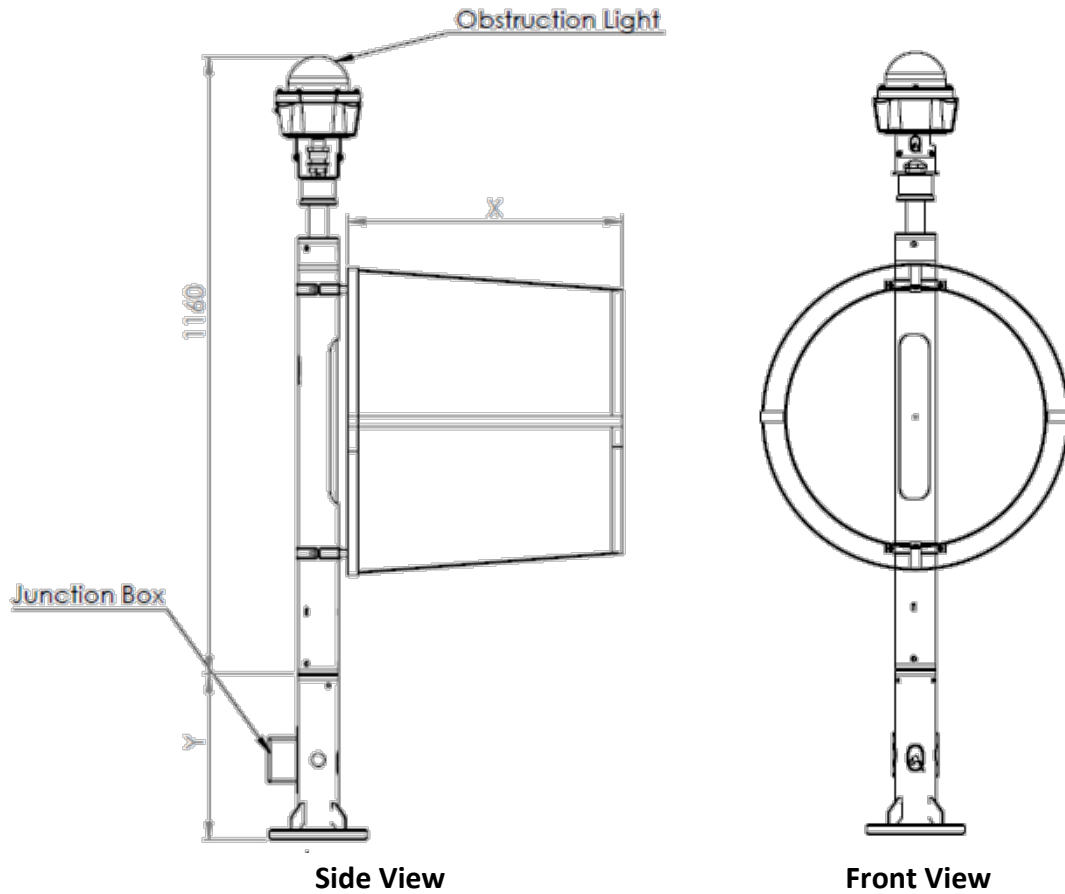
### Q-Windsock:

- Windsock Colors: Orange (OR), Red/White Striped (RW).

| Part Number  | Description   |
|--------------|---|
| Q24NA-21xx** | Q-Windsock Ø11.8" x 3.9' (Ø30 x 120cm) Orange or Red/White Striped  |
| Q24NA-22xx** | Q-Windsock Ø17.7" x 8.2' (Ø45 x 250cm) Orange or Red/White Striped  |
| Q24NA-23xx** | Q-Windsock Ø19.7" x 4.9' (Ø50 x 150cm) Orange or Red/White Striped  |
| Q24NA-24xx** | Q-Windsock Ø23.6" x 7.9' (Ø60 x 240cm) Orange or Red/White Striped  |
| Q24NA-25xx** | Q-Windsock Ø35.4" x 12' (Ø90 x 366cm) Orange or Red/White Striped   |
| Q24NA-26xx** | Q-Windsock Ø35.4" x 12.3' (Ø90 x 375cm) Orange or Red/White Striped |

\*\* xx: Orange (OR), Red/White Striped (RW).

Dimensions



Bottom View