

# Q-Explosion Proof Status Light Repeater

## Certificates



## Applications

The Q-Explosion Proof Status Light Repeater is a CAP437 compliant (60 cd, 120 FPM) flashing light for all offshore facilities. The Status Light Repeater works as a slave and the Q14RI03 Status Light is required as a master. Both Status lights must be connected to the Status Light Controller.

## Technical Specifications

- Application: Helideck
- Hazardous Area: Zone 1 and 2
- Classification: Class 1 and 2
- Light Source: LED, flashing
- Light Color: Red, 630nm
- Light Intensity: 60 cd
- Flashes Per Minute: 120 FPM (via controller)
- Vertical Beam Profile: as per CAP437
- Color Chromaticity: as per CAP437
- Enclosure: Aluminum, powder coated
- Mounting: Rigid, 4 x M8
- Input Voltage: From controller
- External Earthing: up to 4mm<sup>2</sup>
- Ambient Temp: -13°F to +149°F (-25° to +65° C)
- In Compliance With: CAP437
- Cable Glands Included: 1 x M25x1.5
- Cable Stops Included: 2 x M25x1.5
- Cable Outer Dimension: 11 - 20.0mm
- Consumption: 12 Watt
- Life Expectancy: 100,000+ hours
- IP Index: IP 67
- Weight: 6.72 lb. (3.05 kg)
- Dimensions: 7.2" x 7.2" x 6.1" (183x183x155mm) (LxWxH)
- Packaging Dimension: 7.87" x 7.87" x 7.87" (200x200x200mm) (LxWxH)

- This product must be connected to the Q14RI03 Status Light.
- This product must be connected to the Q14RI03C Status Light Controller. The controller is sold separately.
- When a complete helideck package is offered, the Status Light Controller can be built into the Q-Control WMX series.

## Ordering Codes

Part Number
Q14RR01: Q-Explosion Proof Status Light Repeater



## Certification

### Status Light Repeater

Atex Certificate: ITS18ATEX103970X  
 IECEx Certificate: IECEx ITS 18.0052X  
 Ⓜ II 2 G Ex db op is IIC T6 Gb  
 Ⓜ Ex d IIC T6

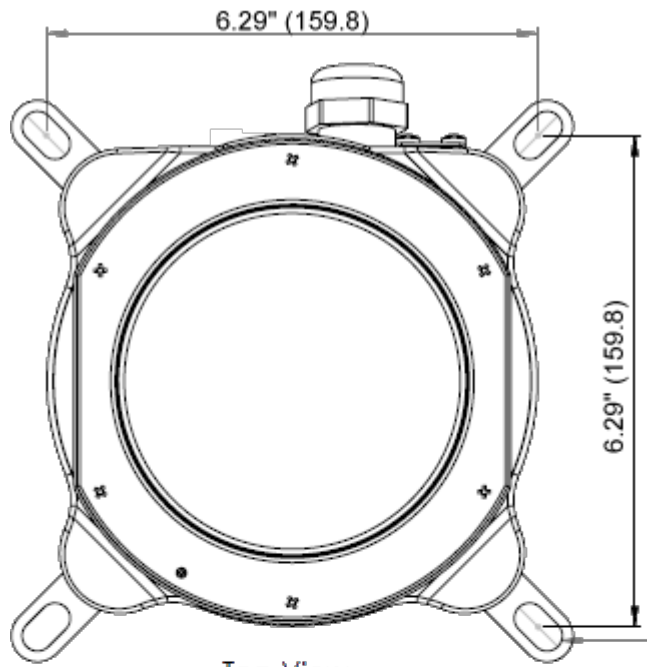
### Cable Gland (2 x included)

Atex Certificate: SIRA13ATEX1068X, SIRA13ATEX4074X  
 IECEx Certificate: IECEx SIR 13.0023X, IECEx SIM 14.0006  
 Ⓜ II 2G, II 1D Ex d IIC Gb, Ex e IIC Gb, Ex ta IIIC Da  
 Ⓜ II 3G Ex nR IIC Gc I M2 Ex d I Mb, Ex e I Mb  
 Ex d IIC Gb, Ex e IIC Gb, Ex nR IIC Gc, Ex d I Mb, Ex e I Mb

### Cable Stop (1 x included)

Atex Certificate: SIRA13ATEX1265X  
 IECEx Certificate: IECEx SIR 13.0094X, IECEx SIM 15.0002X  
 Ⓜ II 2G Ex d IIC Gb, Ex e IIC Gb, II 1D Ex ta IIIC Da  
 Ⓜ IM2 Ex d I Mb, Ex e I Mb  
 Ex d I Mb, Ex e I Mb; Ex d IIC Gb, Ex e IIC Gb, Ex ta IIIC Da

Dimensions



4X Ø10 Mounting hole, Mount M8

