



Flight Light Inc.
 2708 47th Ave.
 Sacramento, California, U.S.A.
 95822-3806



+1.800.806.3548
 +1.916.394.2800

www.flightlight.com
sales@flightlight.com

Heliport LED Floodlight

Heliport LED Floodlight

Our LED floodlight is specially designed for helipads, providing uniform surface lighting for landing and loading activities. The floodlight housing mounts on a 1" EMT extension into a 1.5" NF aluminum breakable coupling. An optional 2" NPS breakable coupling is available. This fixture may be mounted on a base plate, junction box or stake, sold separately.

Features

- Multi-chip 18 watt, high-output, long-life LEDs.
- Floodlight hood eliminates glare to pilots.
- UL Listed: Suitable for wet locations - mounting within 4' (1.2M) of the ground (AC model only).
- Bronze chip and fade resistant polyester powder coat finish.
- Precision die-cast aluminum housing, lens frame and mounting arm.
- Heavy-duty mounting arm with O-ring seal and stainless steel screw.
- Heatsink: Die-cast aluminum LED housing designed for maximum heat dissipation.
- Semi-specular anodized aluminum reflector.
- Metal guard to protect the lens.
- High-temperature silicone gaskets.
- Green Technology: Mercury, UV free, no VOCs used for finishing materials.

DC Model

- Low voltage DC for added safety.
- Ideal for solar, off-grid, remote-area lighting applications.
- Up to 85% more energy efficient than line voltage AC solutions.
- No energy loss from DC-AC inverter.

Specifications

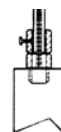
- Light Source: 18W LED
- Input Power: AC = 22W, 100-277 VAC
DC = 24W, 10-30 VDC
- Life: 100,000 hours
- Lumens (Initial): 1624
- Lumens Per Watt: 73
- Color Temp.: 5100K
- Finish Color: Bronze
- Housing: Die-Cast Aluminum
- Lamp Dimensions: 7"H x 8.625"W x 5.125"D
- Lamp Weight: 4.8 lb.
- CA Title 24: Compliant
- Warranty: 5 Years



Double LED Floodlight

Heliport LED Floodlight

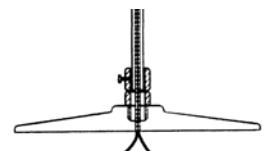
Mounting Options:



Stake Mounted
 30" Angle-Iron
 Mounting Stake
(sold separately)



J-Box Mounted
 30-7609 J-Box
(sold separately)



Base Mounted
 8.5" or 12" Base Plate
(sold separately)

Ordering Codes

| Fixture Type | Input Power | Overall Mounting Height ¹ | Fixture Style | Fixture Options |
|--------------|------------------|---|------------------------|--|
| HL-FLED | AC: AC DC: DC | 8: 8" (no coupling) 14: 14" (standard) 24: 24" (extended) 30: 30" (extended) | S: Single D: Double | 1: 1.5" Frangible Coupling (P/N FL-FC1.5) 2: 2" Frangible Coupling (P/N FL-FC2.0) |

¹ Single head style is available with 8", 14", 24" or 30" overall mounting height. Double head style is only available with 17" overall mounting height.

Visit our web site: www.flightlight.com



Flight Light Inc.
 2708 47th Ave.
 Sacramento, California, U.S.A.
 95822-3806



+1.800.806.3548
 +1.916.394.2800

www.flightlight.com
 sales@flightlight.com

Heliport LED Floodlight

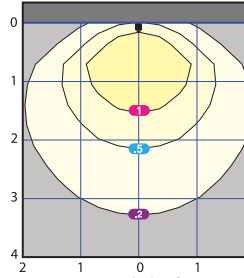
Replacement Part

LA-FF18RMA
 Black replacement
 knuckle mount

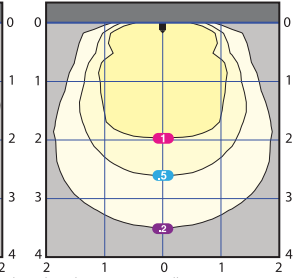


Photometrics

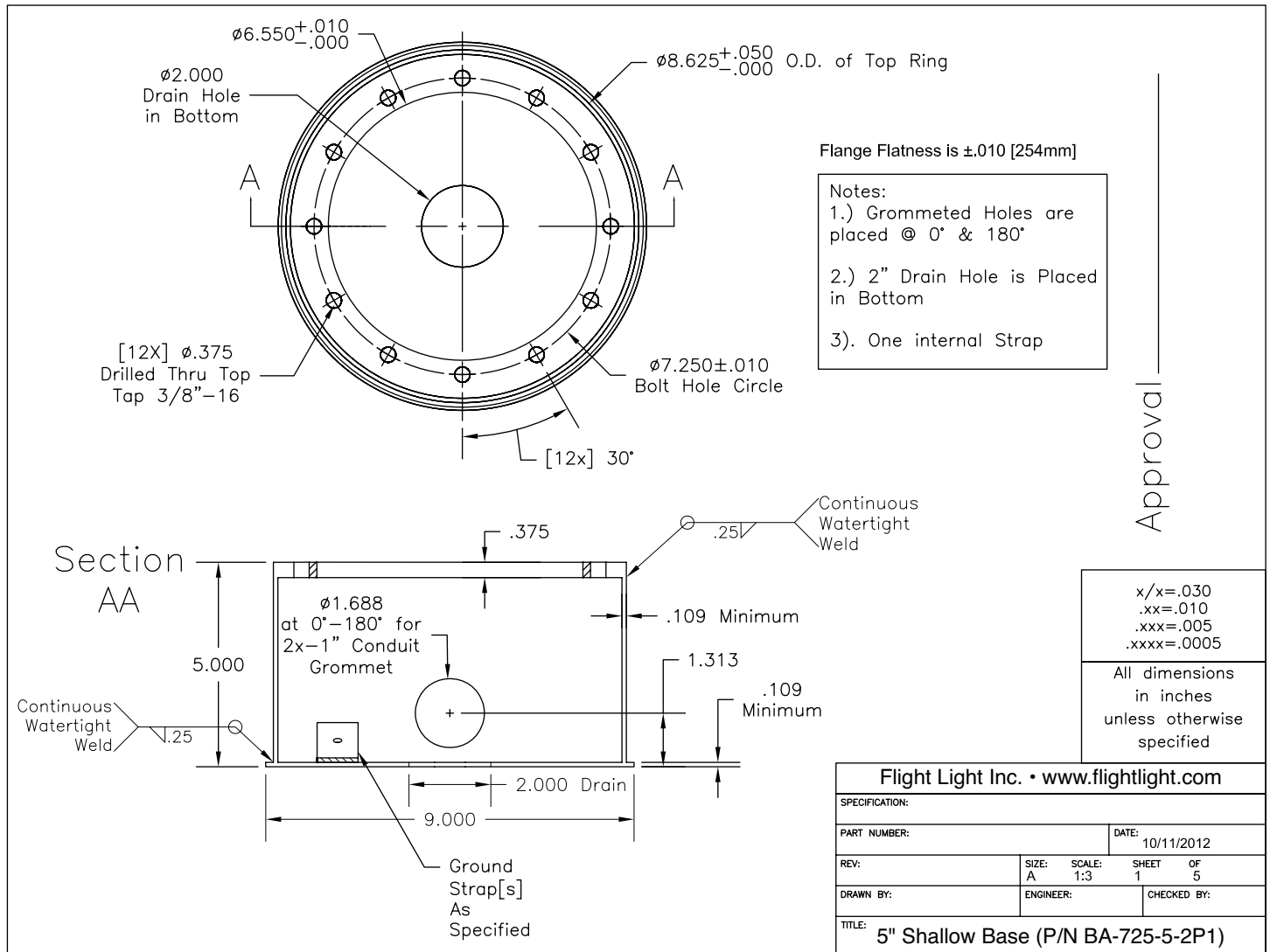
Heliport LED Floodlight
 10' Mounting Height
 Aimed 30° Below Horizon



70W Metal Halide Floodlight
 10' Mounting Height
 Aimed 30° Below Horizon



Multiples of Mounting Height. Values shown in Footcandles.



Visit our web site: www.flightlight.com



Flight Light Inc.
2708 47th Ave.
Sacramento, California, U.S.A.
95822-3806



+1.800.806.3548
+1.916.394.2800

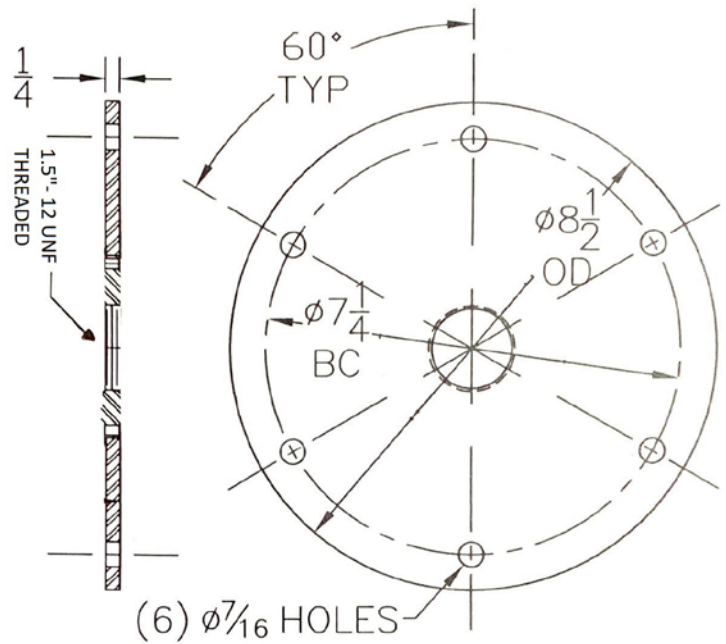
www.flightlight.com
sales@flightlight.com

Heliport LED Floodlight

Base Plate for L868AA 5" Shallow Base BA-1935AA-25

Specifications

- Dimensions: 8.5" diameter x .25" thick
- Bolt Circle: 7.25"
- Material: Hot rolled steel
- Finish: Aviation yellow powder coat
- Includes (6) 3/8-16 x 1" stainless steel hex head cap screws
- Part #: BA-1935AA-25



Visit our web site: www.flightlight.com



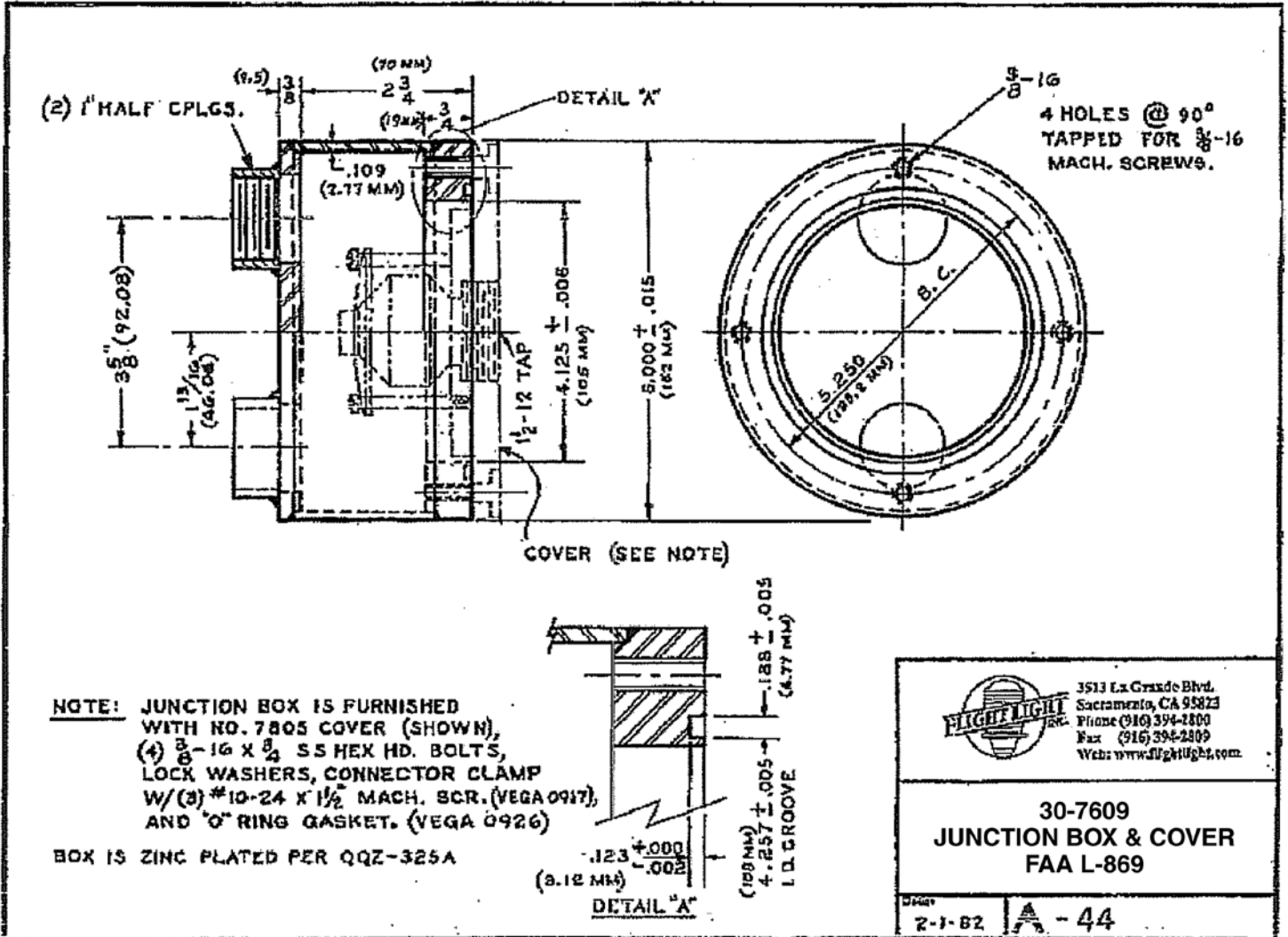
Flight Light Inc.
2708 47th Ave.
Sacramento, California, U.S.A.
95822-3806



+1.800.806.3548
+1.916.394.2800

www.flightlight.com
sales@flightlight.com

Heliport LED Floodlight



Visit our web site: www.flightlight.com