



**Flight Light Inc.**  
 2708 47th Ave.  
 Sacramento, California, U.S.A.  
 95822-3806



+1.800.806.3548  
 +1.916.394.2800

[www.flightlight.com](http://www.flightlight.com)  
[sales@flightlight.com](mailto:sales@flightlight.com)

**HL-592L**

## LED Helideck/Helipad Surface Mount Perimeter Light

- Compliances**
- FAA AC 150/5390-2D Heliport Design Guide
  - Exceeds FAA AC 150/5390-2D Appendix G Specifications
  - Transport Canada TP14371, AGA 7.16
  - IP67 Compliant
  - Buy American Act Compliant

### Applications

Our HL-592L surface mount perimeter light helps mark the helipad Final Approach and Takeoff (FATO) area for metal helidecks and pavement heliports. Ideal for portable heliport applications.

### Why Our HL-592L is Better

#### Superior Design and Construction

- Low profile, 4.175" [10.6 cm], reduces the chances of being damaged.
- Sturdy aluminum construction, 5 lb. [2.3 kg], stands up to heavy use.
- Standard hard anodized finish extends fixture service life.
- Factory sealed, moisture proof light cavity maximizes LED life.

#### Easy Installation and Maintenance

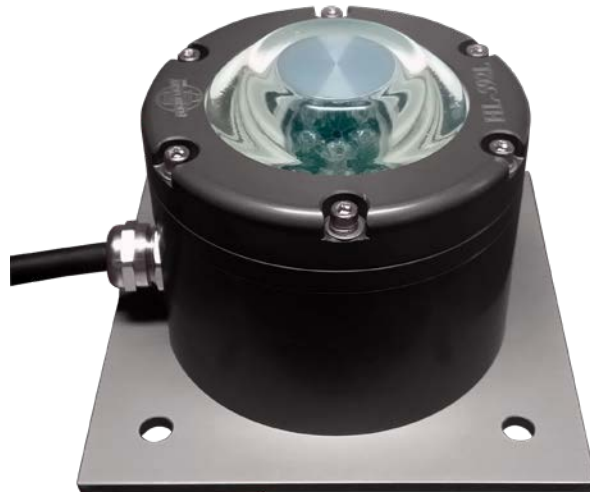
- Lens and/or LED can be replaced while fixture remains installed - does not require adhesives or sealants.
- Low maintenance LED light source has 50,000 hour lifetime (50X longer than halogen).
- Integrated mounting plate allows simple 4-bolt installation.

#### Optical Performance

- Optical performance exceeds FAA AC 150/5390-2D Appendix G specifications.
- 3-Step Dimming Controller to minimize nighttime glare available.
- Monochromatic output of LEDs is more conspicuous than halogen.

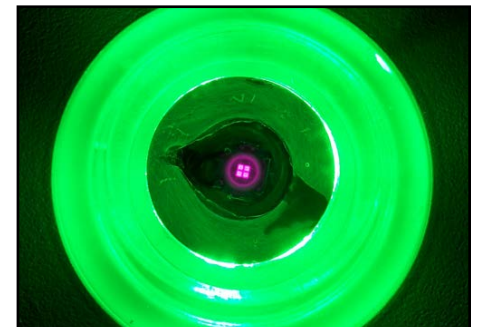
### Specifications

- Construction: Machined aluminum 6061T6, anodized to MIL 8625 Type III, 1 mil thick.
- Color castings are only available with Type II, Class II (soft) anodized finish (not recommended for corrosive environments).



*Only 4.175" [10.6 cm] in height.*

- Height: 4.175" [10.6 cm]
- Mounting plate: 6" x 6" x .19" [15.2 x 15.2 x .48 cm]
- Weight: 5 lb. [2.3 kg]
- Power consumption: AC input = 7.2VA; DC input = 4W; IR AC input = 10.8VA; IR DC input = 7.2W
- Available in 10-30VDC, 100-240VAC, or 277VAC versions.
- Fixture grounding: internal.
- Includes 48" [122 cm] of UL SO Cable 16AWG.
- Installation requires four 3/8" [9.5 mm] bolts (not provided).
- Temperature range: -4°F/+131°F (-20°C/+55°C).
- Carton size: 0.3 cu. ft. (0.01 cu. meters); 8" x 8" x 8" (20.32 x 20.32 x 20.32cm)



### Visible/Infrared LED Option

- Night Vision Goggle (NVG) compatible.
- Infrared Output:
  - Exceeds SAE Aerospace recommendations for Landing/Taxi Lights.
  - Usable beam width: 55° to 125° vertical, 360° horizontal.
  - Output wavelength: 850nm.
  - Infrared does not dim with the "DCD" dimming option.
- Visible Output:
  - Usable beam width: 30° vertical, 360° horizontal.
  - Output wavelength: 530nm.

**Visit our web site: [www.flightlight.com](http://www.flightlight.com)**



**Flight Light Inc.**  
 2708 47th Ave.  
 Sacramento, California, U.S.A.  
 95822-3806



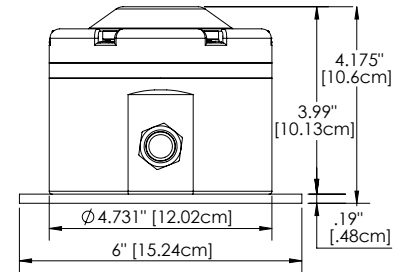
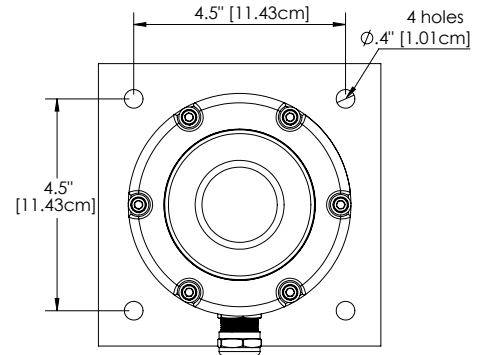
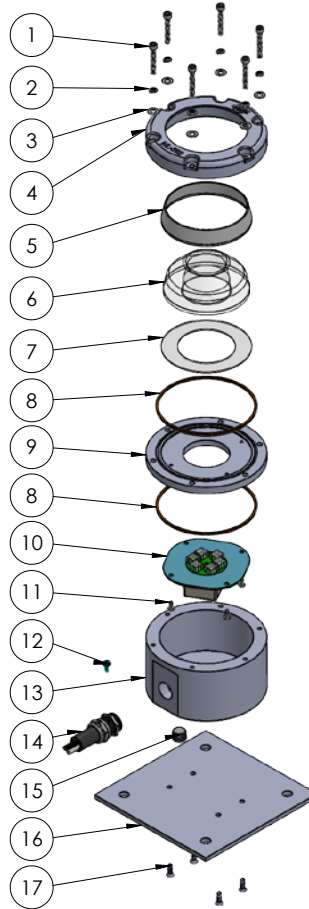
+1.800.806.3548  
 +1.916.394.2800

www.flightlight.com  
 sales@flightlight.com

## HL-592L LED Helideck/Helipad Surface Mount Perimeter Light

### Common Replacement Parts

- 1.....10-32 304 SS 1-1/4" [32 mm] Long Screw ..NS-92196A705
  - 2.....10 304 SS Split Lock Washer..... NS-92146A550
  - 3.....10 304 SS Flat Washer ..... NS-92141A011
  - 4.....HL-592L Top Casting..... 16-592MA
  - 5.....Prism Gasket ..... 65-033090
  - 6.....Clear Prism Dome ..... 20-016080
  - 7.....Prism Clamp Teflon Gasket ..... 27-492CG
  - 8.....O-Ring..... 27-9396K175
  - 9.....HL-592L Prism Clamp ..... 16-592-PCA
  - 10.....LED Driver & Board ..... HL-XL9KIT-AC\*
  - ALT ..LED Driver & Board DC ..... HL-XL9KIT-DC\*
  - ALT ..LED Driver & Board IR..... HL-XL9KIT-IR\*
  - ALT ..LED Diver & Board Dimming..... HL-XL9KIT-D\*
  - 11.....6 18-8 SS 5/16" [7.9 mm] Long Screw ..... NS-92525A313
  - 12.....6-32 Ground Screw Green..... NS-92597A100
  - 13.....HL-592L Bottom Casting..... 16-592-BOTTOM
  - 14.....Power Cord Assembly..... 16-592PCA
  - 15.....Plug Pipe 1/4" Hex Socket SS..... HA-PP000001
  - 16.....Mounting Plate..... 16-592MP
  - 17.....8-32 304 SS 1/2" [13 mm] Long Screw ..... NS-91771A194
- \* For LED Driver & Board Kits, X = Color



Download a mounting plate template from our [website](#).

### Photometric Comparison with FAA Requirements

Vertical Angle (Deg)	FAA Spec (Cd) Min.	HL-592L Avg. Intensity (Cd)
2	15	70.8
5	15	66.5
10	15	48.3
13	15	36.6
20	5	23.9

### Ordering Codes

Fixture	LED Color	Power	Fixture Custom Color <sup>3</sup>
<b>HL-592L</b>	<b>G:</b> Green (std) <sup>1</sup> <b>B:</b> Blue <b>R:</b> Red <b>W:</b> White <b>Y:</b> Yellow <b>IR:</b> Infrared <sup>2</sup>	<b>AC:</b> 100-240VAC <b>AC3:</b> 277VAC <b>DC:</b> 10-30VDC <b>DCD:</b> 10-30VDC Dimming	<b>G:</b> Green <b>B:</b> Blue <b>MG:</b> Military Green <b>R:</b> Red <b>Y:</b> Yellow (gold)
<b>HL-592L</b>			

<sup>1</sup> Green is currently the recommended color for heliport perimeter lights.  
<sup>2</sup> Infrared must be used in conjunction with visible LEDs. Infrared does not dim with the "DCD" dimming option.  
<sup>3</sup> Dark gray hard anodized is the standard finish. Color castings are only available with Type II, Class II (soft) anodized finish (not recommended for corrosive environments).

Visit our web site: [www.flightlight.com](http://www.flightlight.com)



Flight Light Inc.  
2708 47th Ave.  
Sacramento, California, U.S.A.  
95822-3806



+1.800.806.3548  
+1.916.394.2800

www.flightlight.com  
sales@flightlight.com

**HL-592L**  
**LED Helideck/Helipad**  
**Surface Mount Perimeter Light**

## How to Specify the HL-592L LED Helideck Surface Mount Perimeter Light

The fixture shall be model HL-592L-(LED color)-(voltage) as marked by Flight Light Inc.

### Construction:

- The fixture height shall not exceed 4.175" [10.6 cm].
- The fixture shall be omnidirectional.
- The fixture shall be aluminum, hard anodized (Type III), 1 mil thick.
- Color castings shall have Type II, Class II (soft) anodized finish (not recommended for corrosive environments).
- The fixture shall have a modular design comprised of 3 major parts: Mounting Plate, Bottom Casting and Top Casting. The Bottom and Top Casting are sealed by means of a Prism Clamp and O-ring.
- The Mounting Plate shall be square 6" x 6" [15.2 x 15.2 cm] and .19" [.48 cm] thick.
- Fixture shall be ground mounted.
- The fixture shall include 48" [122 cm] of UL SO Cable 16AWG.

### LED/Light Cavity:

- LED and lens shall be field replaceable.
- LED lifetime expectancy: 50,000 hours.
- Power consumption shall not exceed 7.2VA for AC lights, 4W for DC lights, 10.8VA for IR AC lights and 7.2W for IR DC lights.
- Infrared output wavelength: 850nm
- Infrared output usable beam width: 55° to 125° vertical, 360° horizontal
- Visible output wavelength: 530nm
- Visible output beam width: 30° vertical, 360° horizontal

### Compliances:

- IP67 Compliant
- Buy American Act Compliant
- FAA AC 150/5390-2D Heliport Design Guide
- Optical performance exceeds FAA AC 150/5390-2D Appendix G Specifications
- Transport Canada TP14371, AGA 7.16

### Options (to be specified per each project):

- Infrared (must be used in conjunction with visible LEDs)
- Dimming (only available with the Flight Light controller)
- Fixture custom color (default color is dark grey).

**Visit our web site: [www.flightlight.com](http://www.flightlight.com)**