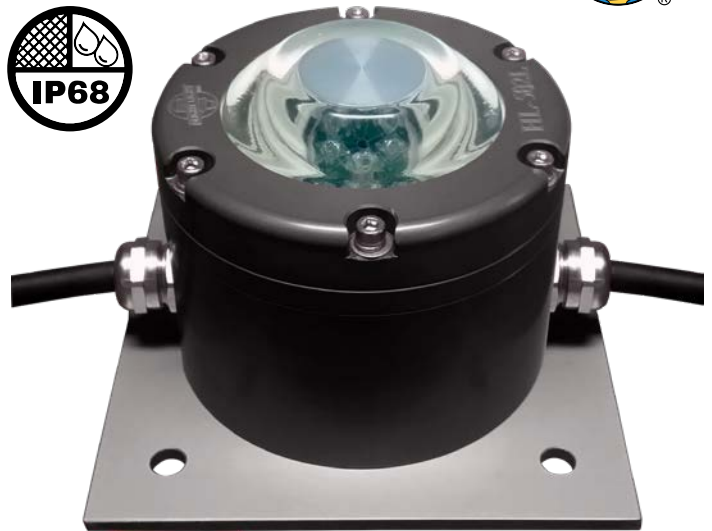


HL-582L Water Resistant LED Helideck/Helipad Surface Mount Perimeter Light



Compliance and Applications

- FAA AC 150/5390-2D Heliport Design Guide
- Exceeds FAA AC 150/5390-2D Appendix G Specifications
- Transport Canada TP14371, AGA 7.16
- IP68 Compliant (tested to a depth of 1 meter for 1 hour)
- Buy American Act Compliant

Our completely sealed, water resistant HL-582L surface mount perimeter light helps mark the helipad Final Approach and Takeoff (FATO) area for metal helidecks and pavement heliports. Ideal for portable heliport applications and flood-prone areas.

Why Our HL-582L is Better:

Superior Design and Construction

- IP68 compliant, water resistant fixture can be submerged in water for several days and still function properly.
- Impenetrable, factory epoxy potted LED driver and LED board cavity maximizes LED life.
- Waterproof gel wire connectors eliminate the need for crimping tools.
- Low profile, 5" [12.7 cm], reduces the risk of damage to the fixture.
- Sturdy aluminum construction, 5.9 lb. [2.7 kg], stands up to heavy use.
- Standard hard anodized finish extends fixture service life.

Easy Installation and Maintenance

- Easy installation, light fixture body serves as junction box for electrical connections.
- Preconfigured, only add the desired cable length.
- Only two main replacement parts.
- Low maintenance LED light source has 50,000 hour lifetime (50X longer than halogen).
- Integrated mounting plate allows simple 4-bolt installation.

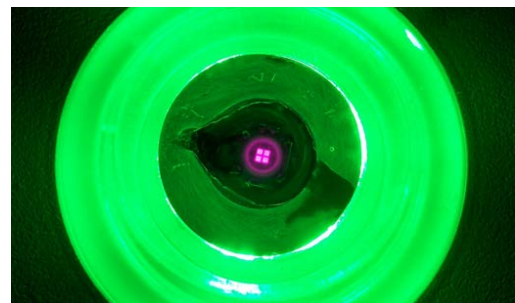
Optical Performance

- Optical performance exceeds FAA AC 150/5390-2D Appendix G specifications.
- 3-Step Dimming Controller to minimize nighttime glare available.
- Monochromatic output of LEDs is more conspicuous than halogen.

Specifications

- Construction: Machined aluminum 6061T6, anodized to MIL 8625 Type III, 1 mil thick.
- Color castings are only available with Type II, Class II (soft) anodized finish (not recommended for corrosive environment).
- Height: 5" [12.7 cm]

- Mounting plate: 6" x 6" x .19" [15.2 x 15.2 x .48 cm]
- Weight: 5.9 lb. [2.7 kg]
- Power consumption: AC input = 7.2VA; DC input = 4W; IR AC input = 10.8VA; IR DC input = 7.2W
- Available in 10-30VDC, 100-240VAC, or 277VAC versions.
- Fixture grounding: internal.
- Requires water resistant UL Cable, OD = 0.24" - 0.47" (6-12mm). Recommended AWG (varies by application): 16-3/C SOOW 600V 90C.
- Installation requires four 3/8" [9.5 mm] bolts (not provided).
- Temperature range: -4°F/+131°F (-20°C/+55°C).
- Carton size: 0.3 cu. ft. (0.01 cu. meters); 8" x 8" x 8" (20.32 x 20.32 x 20.32cm)

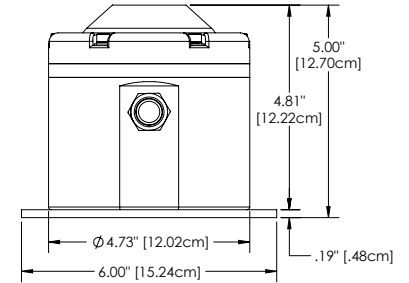
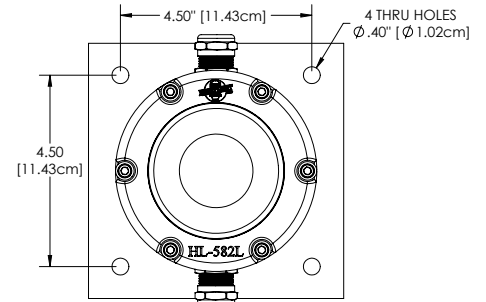
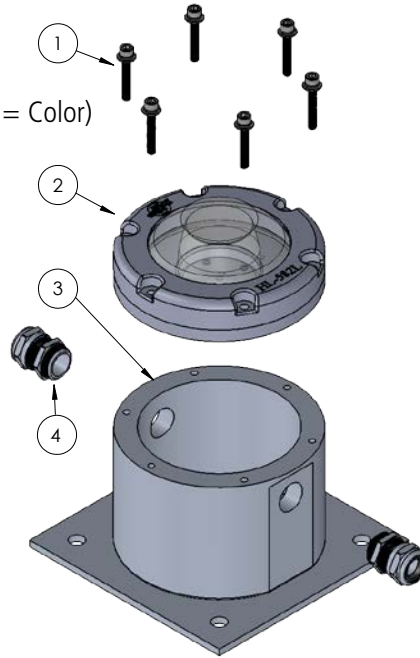


Visible/Infrared LED Option

- Night Vision Goggle (NVG) compatible.
- Infrared Output:
 - Exceeds SAE Aerospace recommendations for Landing/Taxi Lights.
 - Usable beam width: 55° to 125° vertical, 360° horizontal.
 - Output wavelength: 850nm.
 - Infrared does not dim with the "DCD" dimming option.
- Visible Output:
 - Usable beam width: 30° vertical, 360° horizontal.
 - Output wavelength: 530nm.

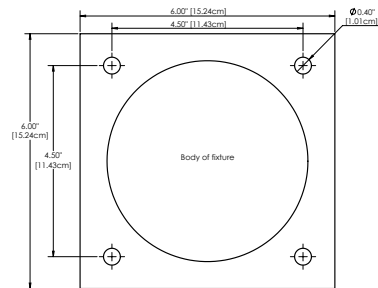
Common Replacement Parts

- 1..... Screw Kit..... HL-582SCREWKIT
- 2..... Upper Assembly..... HL-582TOPKIT-X (X = Color)
- 3..... Lower Assembly..... HL-582BOTTOMKIT
- 4..... Cord Grip 27-CD20DA-BR
- NA... Gel Connector Kit.... HL-582GCK



Photometric Comparison with FAA Requirements

Vertical Angle (Deg)	FAA Spec (Cd) Min.	HL-582L Avg. Intensity (Cd)
2	15	70.8
5	15	66.5
10	15	48.3
13	15	36.6
20	5	23.9



Download a mounting plate template from our website.

Ordering Codes

Fixture	LED Color	Power	Cable Layout	Fixture Custom Color ⁶
HL-582L	G: Green (std) ¹ B: Blue R: Red W: White Y: Yellow IR: Infrared ²	AC: 100-240VAC AC3: 277VAC DC: 10-30VDC DCD: 10-30VDC Dimming	G1C: 1 Gland with Cable ³ G2C: 2 Glands with Cable ⁴ G2NC: 2 Glands with No Cable ⁵	G: Green B: Blue MG: Military Green R: Red Y: Yellow (gold)

¹ Green is currently the recommended color for heliport perimeter lights.
² Infrared must be used in conjunction with visible LEDs. Infrared does not dim with the "DCD" dimming option.
³ G1C Layout will have a plug covering the second M20 hole.
⁴ G2C Layout will not support dimming option. Specify cable size so we can quote correct secondary connector.
⁵ G2NC Layout: Customer must supply water resistant cable. Cable connections are made inside the fixture.
⁶ Dark gray hard anodized is the standard finish. Color castings are only available with Type II, Class II (soft) anodized finish (not recommended for corrosive environment).

How to Specify the HL-582L LED Helideck/Helipad Surface Mount Perimeter Light

The fixture shall be model HL-582L-(LED color)-(voltage) as marked by Flight Light Inc.

Construction:

- The fixture height shall not exceed 5" [12.7 cm].
- The fixture shall be omnidirectional.
- The fixture shall be aluminum, hard anodized (Type III), 1 mil thick.
- Color castings shall have Type II, Class II (soft) anodized finish (not recommended for corrosive environment).
- The fixture shall have a modular design comprised of 3 major parts: Mounting Plate, Bottom Casting and Top Casting.
- The Mounting Plate shall be square 6" x 6" [15.2 x 15.2 cm] and .19" [.48 cm] thick.
- Fixture shall be ground mounted.

LED/Light Cavity:

- LED lifetime expectancy: 50,000 hours.
- Power consumption shall not exceed 7.2VA for AC lights, 4W for DC lights, 10.8VA for IR AC lights and 7.2W for IR DC lights.
- Infrared output wavelength: 850nm
- Infrared output usable beam width: 55° to 125° vertical, 360° horizontal
- Visible output wavelength: 530nm
- Visible output beam width: 30° vertical, 360° horizontal

Compliances:

- IP68 Compliant (tested to a depth of 1 meter for 1 hour)
- Buy American Act Compliant
- FAA AC 150/5390-2D Heliport Design Guide
- Optical performance exceeds FAA AC 150/5390-2D Appendix G Specifications
- Transport Canada TP14371, AGA 7.16

Options (to be specified per each project):

- Infrared (must be used in conjunction with visible LEDs)
- Dimming (only available with the Flight Light controller)
- Fixture custom color (default color is dark grey).