



Flight Light Inc.
 2708 47th Ave.
 Sacramento, California, U.S.A.
 95822-3806

+1.800.806.3548
 +1.916.394.2800

www.flightlight.com
 sales@flightlight.com

HL-280
LED or Halogen
Heliport Taxiway Centerline
Inset Light

- Compliances**
- ICAO Annex 14
 - CAA CAP168
 - NATO STANAG 3316
 - BS3224 Part 5 inset fittings

Application

Inset green lights are used to define heliport taxiway centerlines. Taxiways allow for the movement of helicopters from one part of a landing facility to another.

Why Our HL-280 is Better

- Body casting manufactured from aluminum alloy for lightness, strength and durability.
- Corrosion resistant anodized finish.
- Available in 12-24 VDC or 120 VAC versions.
- Pressurized light cavity keeps moisture out and reduces the frequency of replacement.
- Prism removal and replacement achieved without the need for adhesive or sealants.
- Pre-focused optics to simplify maintenance procedures.
- A window blank is available for unidirectional applications.

Specifications

- Low profile: .39 in. (10mm) projection.
- Light channel within .2" (5mm) of grade.
- Stress bearing: 11 tons dynamic load and 22 tons static load.
- Color variations achieved by using color specific filters.
- Corrosion resistant anodized finish meets U.S. Military Standard Salt Fog Test (MIL-STD-810E, Method 509.3) and IEC EN 60068-2-11 (Test Kb, severity 3).
- Stainless steel fasteners.
- Net weight 6.6 lb. (3kg). Gross weight 7.7 lb. (3.5kg). Carton size 9 in. x 9 in. x 5.7 in. (230mm x 230mm x 146mm)
- Temperature range: -4°F/+131°F (-20°C/+55°C).



LED Version

- Energy saving LEDs consume only 7W per fixture.
- Long life LEDs (average rated life of 10 years) reduces frequency of replacement.
- Color variations achieved by using color specific LEDs.

Ordering Codes

Fixture	Color: A Side*	Color: B Side*	Lamps
HL-280	G: Green (std)	G: Green (std)	50: 50W, 120V
	W: White	W: White	52: 50W, 240V
	R: Red	R: Red	LP: 120V/240V LED
	Y: Yellow	Y: Yellow	LV: 10-30VDC LED
	X: Blank	X: Blank	LVD: Dimming 10-30VDC LED

* Green is currently the recommended output color for heliport taxiway centerline lights.

Visit our web site: www.flightlight.com



Flight Light Inc.
 2708 47th Ave.
 Sacramento, California, U.S.A.
 95822-3806

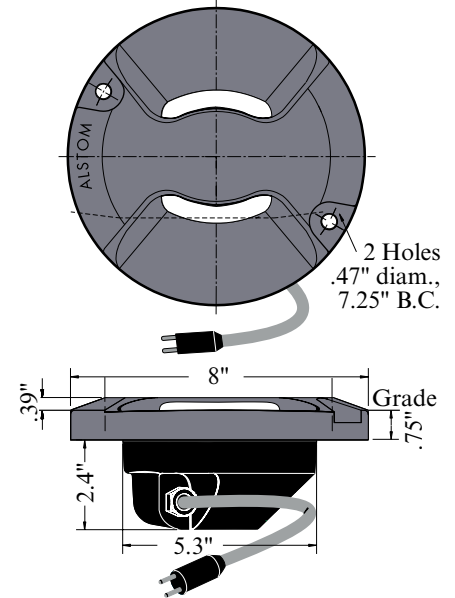
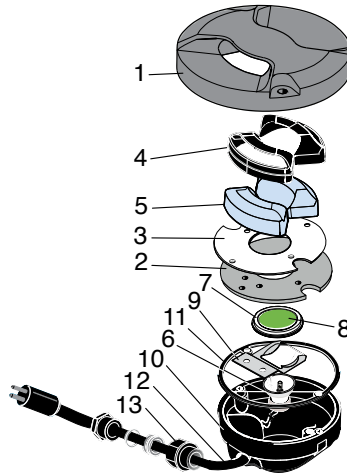
+1.800.806.3548
 +1.916.394.2800

www.flightlight.com
 sales@flightlight.com

HL-280
LED or Halogen
Heliport Taxiway Centerline
Inset Light

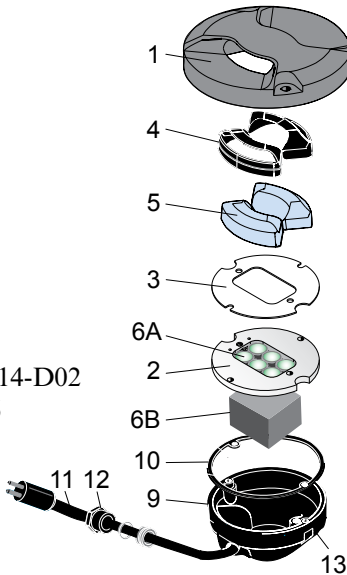
Replacement Parts

- | | |
|--------------------------|-------------------|
| 1. Body casting | |
| 2. Prism clamp | 80-021268 |
| 3. Prism clamp gasket | 80-033072 |
| 4. Prism gasket (2) | 80-033071 |
| 5. Glass prisms (1 or 2) | |
| white (clear) | 80-016072 |
| blank | 80-040102 |
| 6. 50W, 120V, MR16 Lamp | LA-008084 |
| ALT 50W, 230V, MR16 Lamp | LA-64826 |
| 7. Lamp gasket | 80-033064 |
| 8. Green Filter | 80-019156 |
| ALT Red Filter | 80-019155 |
| ALT Yellow Filter | 80-019157 |
| ALT Blue Filter | 80-019201 |
| 9. Lamp retaining spring | 80-032039 |
| 10. Bottom cover | |
| 11. Bottom cover gasket | 80-033080 |
| 12. 'B' type plug lead | TRC-10518-114-D02 |
| 13. Cable gland assembly | 80-021114/5/6 |



LED Version Replacement Parts

- | | |
|------------------------------|-------------------|
| 1. Body casting | 80-040155 |
| 2. Prism clamp | 80-021380 |
| 3. Prism clamp gasket | 80-021379 |
| 4. Prism gasket (2) | 80-033071 |
| 5. Glass prism (1 or 2) | 80-016078 |
| Blanking prism (optional) | 80-040102 |
| 6A. 12V LED High Bright | |
| 6B. LED Driver | |
| 9. Bottom cover | 80-040101 |
| 10. Bottom cover gasket | 80-033080 |
| 11. 'B' Type plus lead | TRC-10518-114-D02 |
| 12. Cable gland assembly | 80-021114/5/6 |
| 13. Schrader (bicycle) valve | 80-021327 |



Visit our web site: www.flightlight.com

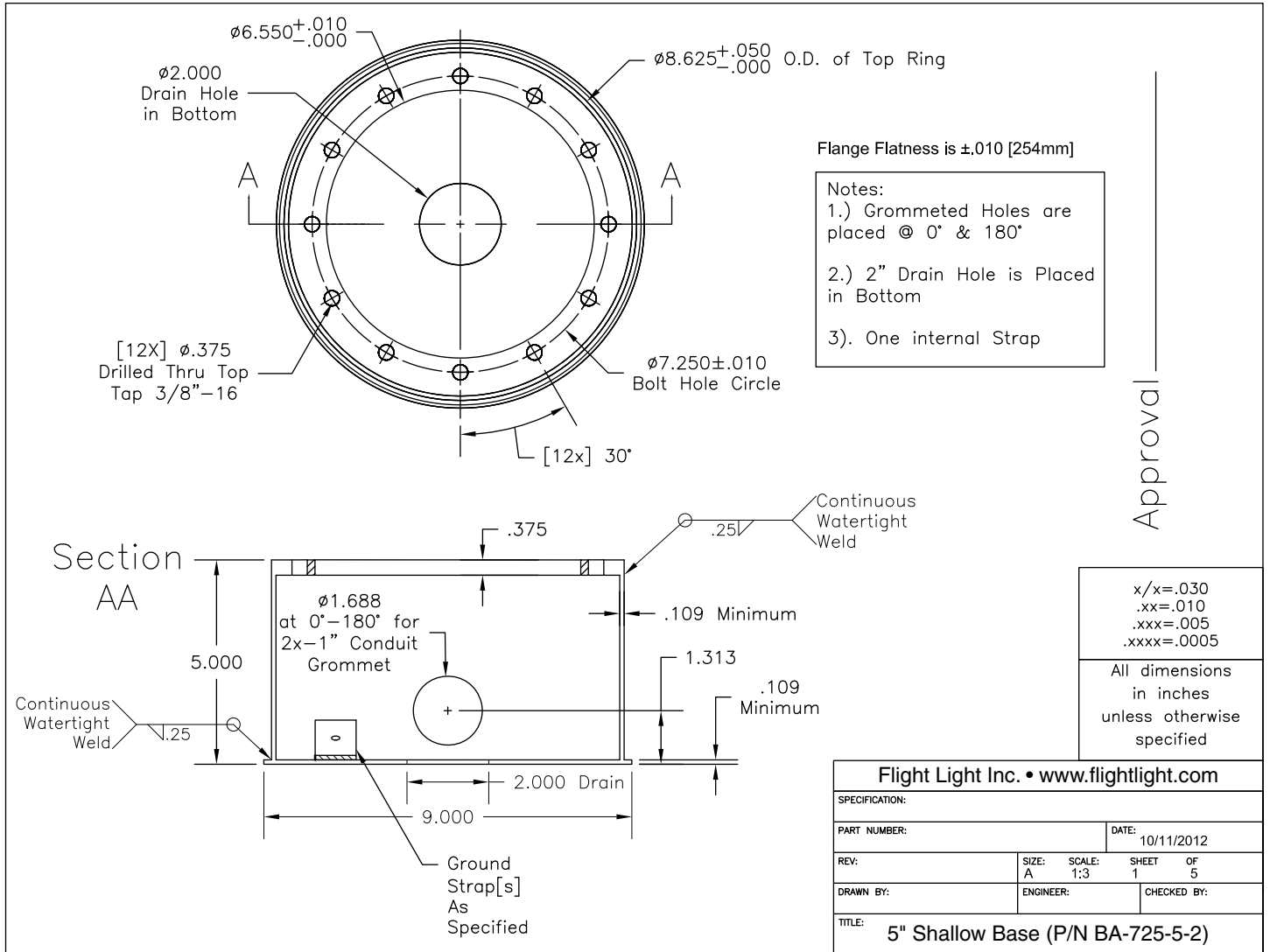


Flight Light Inc.
 2708 47th Ave.
 Sacramento, California, U.S.A.
 95822-3806

+1.800.806.3548
 +1.916.394.2800

www.flightlight.com
 sales@flightlight.com

HL-280
LED or Halogen
Heliport Taxiway Centerline
Inset Light



Visit our web site: www.flightlight.com