



Frangible Couplings & Floor Flanges

Frangible couplings are designed to break away cleanly upon impact, minimizing damage to an aircraft during an accident. Common applications include support for runway/taxiway lights, heliport flood lights,

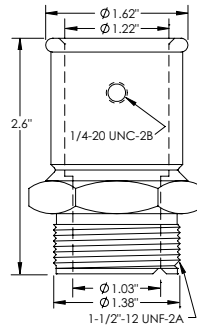
and masts. Please review your product manual to ensure you order the correct coupling. To avoid premature or catastrophic failure, frangible couplings should only be used for approved applications.

1" Diameter Risers

Frangible Coupling for Mounting 1" Diameter Riser to 1935 Baseplate (1-1/2" Thread)

For L-860/L-861/L-862 runway/taxiway edge and heliport flood lights.

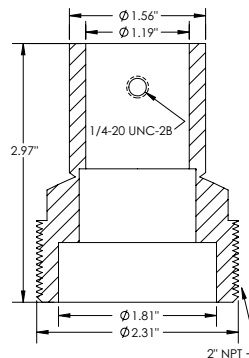
Part Numbers:	FL-FC1.5-Y: Yellow Powder Coat FL-FC1.5-R: Red Powder Coat FL-FC1.5-MT: Marine Treated
Height:	2.6"
Top Dimensions:	1.62" OD, 1.22" ID
Bottom Dimensions:	1.38" OD, 1.03" ID
Upper Flange Bolt:	1 bolt included: hex head, 1/4-20 x 3/4", stainless steel
Thread:	1-1/2"-12 UNF-2A
Material:	Aluminum



Frangible Reducer Coupling for Mounting 1" Diameter Riser to 1932 Baseplate (2" Thread)

For L-860/L-861/L-862 runway/taxiway edge and heliport flood lights.

Part Numbers:	FL-FC2.0-Y: Yellow Powder Coat FL-FC2.0-R: Red Powder Coat FL-FC2.0-MT: Marine Treated
Height:	2.97"
Top Dimensions:	1.56" OD, 1.19" ID
Bottom Dimensions:	2.31" OD, 1.81" ID
Upper Flange Bolt:	1 bolt included: hex head, 1/4-20 x 3/4", stainless steel
Thread:	2" NPT
Material:	Aluminum

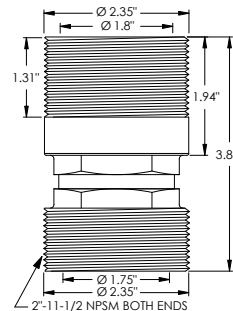


2" Diameter Risers

2" Frangible Coupling (Thread Both Ends)

For fencing or approach systems where the control panel mounts on rigid pipe instead of EMT.

Part Number:	66-961B: Anodized
Height:	3.83"
Top Dimensions:	2.35" OD, 1.8" ID
Bottom Dimensions:	2.35" OD, 1.75" ID
Thread:	2"-11-1/2 NPSM both ends
Material:	Aluminum



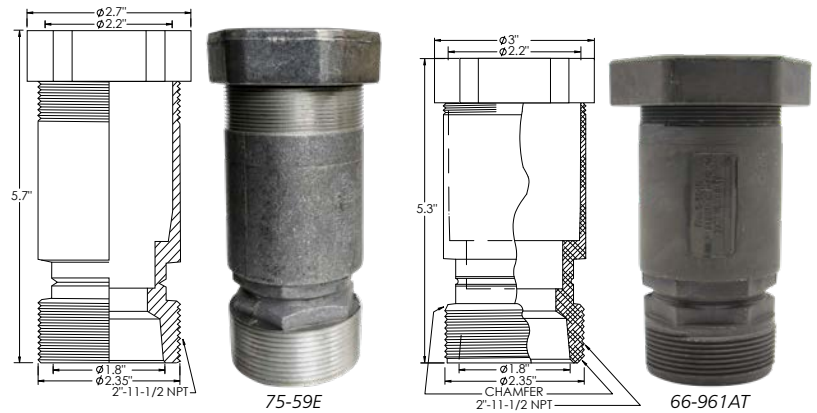


Frangible Coupling for 2" NPT EMT

#75-59E: for L-862 runway edge lights and approach lights: PAPI (Airport Lighting Co. only), REIL, MALSR.
#66-961AT: for base plates and floor flanges.

Part Number:	75-59E: Anodized
Height:	5.7"
Top Dimensions:	2.7" OD, 2.2" ID
Bottom Dimensions:	2.35" OD, 1.8" ID
Thread:	2"-11-1/2 NPT
Material:	Aluminum

Part Number:	66-961AT: Anodized
Height:	5.3"
Top Dimensions:	3" OD, 2.2" ID
Bottom Dimensions:	2.35" OD, 1.8" ID
Thread:	2"-11-1/2 NPT (Chamfers reduce thread count. Chamfers assist easy engagement of base plate threads.)
Material:	Aluminum

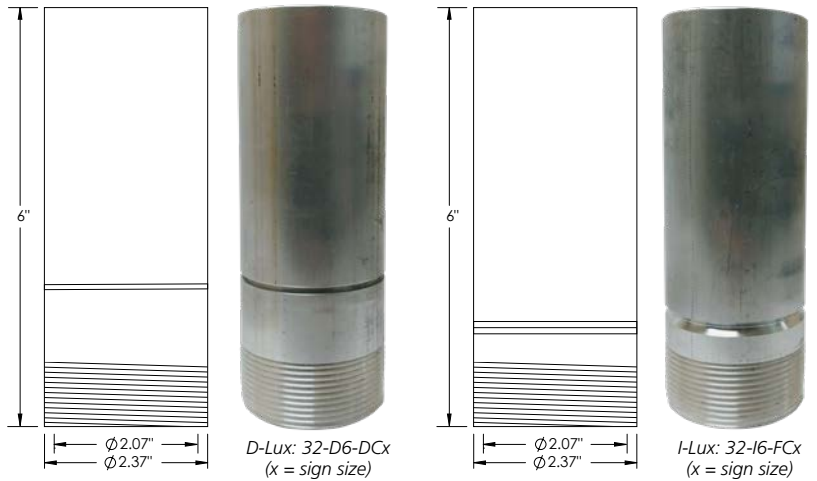


D-Lux, I-Lux Sign Couplings

Used for mounting D-Lux, I-Lux taxiway and runway signs.

D-Lux Part Numbers:	32-D6-DC1: Size 1 D-Lux sign 32-D6-DC2: Size 2 D-Lux sign 32-D6-DC3: Size 3 D-Lux sign
Height:	6"
Dimensions:	2.37" OD, 2.07" ID
Thread:	2" NPT
Material:	Aluminum

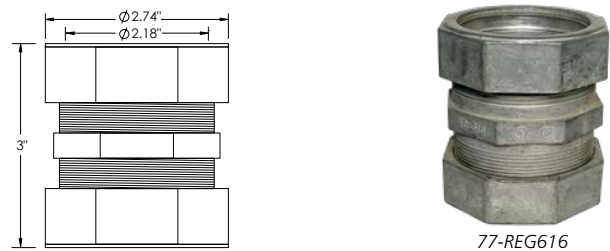
I-Lux Part Numbers:	32-I6-FC1: Size 1 I-Lux sign 32-I6-FC2: Size 2 I-Lux sign 32-I6-FC3: Size 3 I-Lux sign 32-I6-FC4: Size 4 I-Lux sign
Height:	6"
Dimensions:	2.37" OD, 2.07" ID
Thread:	2" NPT
Material:	Aluminum



2" Double Compression Type EMT Coupling

Used to join Electrical Metallic Tubing (EMT) to a box or to couple two ends of EMT conduit.

Part Number:	77-REG616
Height:	3"
Dimensions:	2.74" OD, 2.18" ID
Material:	Zinc Die-Cast

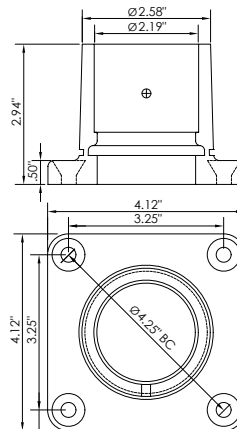




PAPI Frangible Floor Flange

Used for mounting Flight Light Inc. PAPI light housing assemblies. Designed to receive 2" Electrical Metallic Tubing (EMT).

Part Number:	15-FFF2X425
Height:	2.94"
Top Dimensions:	2.58" OD, 2.19" ID
Bottom Dimensions:	4.12" x 4.12"
Bolt Circle:	4.25"
Upper Flange Bolts:	3 bolts included: hex head, 1/4-20 x 1.0", stainless steel
Bottom Flange Bolts:	4 bolts not included: flat head, 3/8-16 x required depth
Material:	Aluminum



15-FFF2X425

6.5" Rigid Floor Flange (2" Thread)

Used for mounting wind cones, obstruction lights, approach lights and helipad elevated lights.

Part Numbers:	BA-6806K125-Y: Yellow BA-6806K125-R: Red BA-6806K125-S: Silver BA-6806K125-MT: Marine Treated
Height:	1.3125"
Top Dimensions:	3.3125" OD, 2" ID
Bottom Dimensions:	6.5" OD
Bolt Circle:	5"
Bottom Flange Bolts:	8 bolts not included: flat head, 5/8-16 x required depth.
Thread:	2" NPT
Material:	Forged black steel



BA-6806K125-Y
Yellow



BA-6806K125-R
Red



BA-6806K125-S
Silver



BA-6806K125-MT
Marine Treated

