

Explosion Proof Low Intensity Obstruction Light 32 cd

Certificates



Applications

The Q-Explosion Proof Low Intensity Obstruction Light 32 cd is an ICAO, CAP437, and CAP168 compliant 32 cd obstruction light for hazardous areas up to zone 1. The obstruction light is available in several configurations such as 100-240 VAC and 24 VDC.

Technical Specifications

- Application: Obstruction lighting
- Hazardous Area: Zone 1 and 2
- Classification: Class 1 and 2
- Light Source: LED, steady burning
- Light Color: Red, 630nm
- Light Intensity: 32 cd
- Vertical Beam Profile: as per CAP437/CAP168/ICAO/FAA
- Color Chromaticity: as per CAP437/CAP168/ICAO/FAA
- Enclosure: Aluminum, powder coated
- Mounting: Rigid, 4x M8
- Input Voltage: 1) 100-240 VAC, 50-60 Hz
2) 24 VDC
- External Earthing: up to 4mm²
- Ambient Temp: -13°F to +140°F (-25° to +60° C)
- In Compliance With: CAP437/CAP168/ICAO/FAA
- Cable Glands Included: 2 x M25x1.5
- Cable Stops Included: 1 x M25x1.5
- Cable Outer Dimension: 11.1 - 20.0mm
- Consumption: 5 Watt
- Life Expectancy: 100,000+ hours
- IP Index: IP 67
- Weight: 4.85 lb. (2.20 kg)
- Dimensions: 7.2" x 7.2" x 6.1" (183x183x155mm) (LxWxH)
- Packaging Dimension: 7.87" x 7.87" x 7.87" (200x200x200mm) (LxWxH)

Ordering Codes

Part Number	Input Power
Q81RI01: Explosion Proof Low Intensity Obstruction Light 32 cd	11: 100-240 VAC 12: 24 VDC



Certification

Explosion Proof Obstruction Light

Atex Certificate: ITS18ATEX103970X
 IECEx Certificate: IECEx ITS 18.0052X
 Ⓢ II 2 G Ex db op is IIC T6 Gb
 Ⓢ Ex d IIC T6

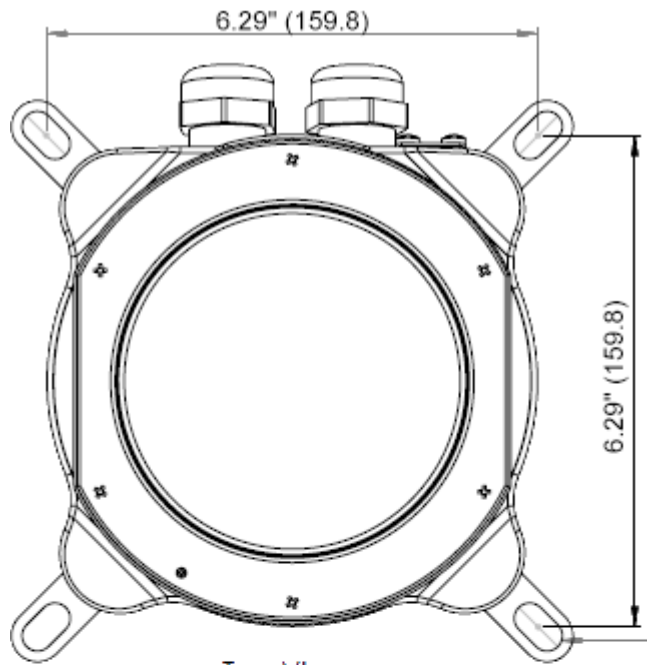
Cable Gland (2 x included)

Atex Certificate: SIRA13ATEX1068X, SIRA13ATEX4074X
 IECEx Certificate: IECEx SIR 13.0023X, IECEx SIM 14.0006
 Ⓢ II 2G, II 1D Ex d IIC Gb, Ex e IIC Gb, Ex ta IIIC Da
 Ⓢ II 3G Ex nR IIC Gc I M2 Ex d I Mb, Ex e I Mb
 Ex d IIC Gb, Ex e IIC Gb, Ex nR IIC Gc, Ex d I Mb, Ex e I Mb

Cable Stop (1 x included)

Atex Certificate: SIRA13ATEX1265X
 IECEx Certificate: IECEx SIR 13.0094X, IECEx SIM 15.0002X
 Ⓢ II 2G Ex d IIC Gb, Ex e IIC Gb, II 1D Ex ta IIIC Da
 Ⓢ IM2 Ex d I Mb, Ex e I Mb
 Ex d I Mb, Ex e I Mb; Ex d IIC Gb, Ex e IIC Gb, Ex ta IIIC Da

Dimensions



4X Ø 10 Mounting hole, Mount M8

