

Solar Helipad Floodlight

AV-HL-FL Avlite

Applications

- Surface-level (terrestrial) heliports
- Elevated heliports

Features

- Optimized install with standard cable interface
- Dimming capability with standard alarm output
- Options to suit all applications - AC, DC, and solar
- Reduced lead times due to standardized build
- Easy to install
 - Convenient design
 - Optimized for reduced installation time
- Turn-key heliports
 - Optimized for HLS Controller
 - Industry and application standard monitoring interface
- Reliable
 - 5 year warranty
- Add-ons
 - Helipad Lighting Controller (AV-HL-CTRL-T1 or AV-HL-CTRL-T2)
 - 5Kg non-slip rubber tile (AV-ACC-MA-13)
 - Avlite Handheld Controller
 - Smart Charger to suit 12V SLA Battery (AV-ACC-CH-XX-02)
 - External charging cable

The AV-HL-FL Helipad Floodlight has been specifically designed for helipads to provide uniform surface lighting where the TLOF and FATO lights need to be supplemented with floodlighting.

The LED optic is specifically designed for helipad operations, and distributes the light evenly across the wide helipad surface. The angle of tilt of the LED luminaire can be easily adjusted to focus the light on the helipad to maximize illumination. The optic hood further prevents potential glare to pilots upon approach.

Housed in a weatherproof, powder-coated aluminum enclosure to withstand the harshest environments, the assembly has a low profile and is compatible with our standard frangible mountings.

The AV-HL-FL Helipad Floodlight is available in solar (PV) and wired versions (DC and universal mains UM).

The wired version comes standard with an easy to install interface panel.

The solar powered floodlight comes with an integrated solar and battery system, which provides autonomous operation in most locations.

As standard, the wired versions come with a discrete alarm output and dimming capabilities in order to integrate any control system, including our Avlite standardized control range.



Each solar floodlight comes with interfaces of RF (Radio Frequency) Control and is designed to form part of a larger helipad lighting system (HLS). Control is achieved via either a remote Avlite Control Enclosure or an Avlite Handheld Controller.



Technical Specifications*

AV-HL-FL Floodlight	AC	DC	PV	
Light Characteristics				
Light Source	LED			
LED Life Expectancy (hours)	>100,000			
Electrical Characteristics				
Input Voltage	90-264VAC	12-48VDC	12V	
Input Frequency	50-60Hz	-	-	
Operating Temperature	-40 to 55 °C			
Storage Temperature	-55 to 55 °C			
Power Consumption				
Peak	56VA	23.5W	23.5W	
Average*	50VA	20W	20W	
Solar Characteristics (PV model only)				
Solar Module Type	-	-	Multicrystalline	
Output (Watts)	-	-	20	
Power Supply (PV model only)				
Charging Regulation	-	-	PWM	
Battery Type	-	-	SLA	
Battery capacity (Ah)	-	-	36 (2 x 18Ah Batteries)	
Nominal Voltage	-	-	12	
Physical Characteristics				
Dimensions	Height (inches/mm)	Width (inches/mm)	Depth (inches/mm)	Mass (lbs/kg)
AV-HL-FL-DC	9.65 / 245	15.94 / 405	12.36 / 314	11.02 / 5.0
AV-HL-FL-UM	9.65 / 245	15.94 / 405	12.36 / 314	12.57 / 5.7
AV-HL-FL-PV	9.65 / 245	15.94 / 405	8.98 / 228	12.35 / 5.6
AV-HL-SBA-FL	9.72 / 247	27.64 / 702	14.88 / 378	50.27 / 22.8
Mounting (standard with product)				
AV-ACC-MA-04	All variants (including solar body assembly) are mounted on a frangible concrete mount assembly			
Environmental factors				
Humidity	0 to 100% MIL-STD-810F			
Wind Speed	Up to 160kph			
Certifications and Compliance				
CE	EN61000-6-3:2007, EN61000-6-1:2007			
Quality Assurance	ISO9001:2015			
Protection Rating	IP66			
Intellectual Property				
Trademarks	AVLITE® is a registered trademark of Avlite Systems			
Warranty*	5 year warranty on light fixtures			
Options Available	<ul style="list-style-type: none"> Helipad Lighting Controller (AV-HL-CTRL-T1 or AV-HL-CTRL-T2) 5Kg non-slip rubber tile: AV-ACC-MA-13 	<ul style="list-style-type: none"> Avlite Handheld Controller Smart Charger to suit 12V SLA Battery (AV-ACC-CH-XX-02) External charging cable 		

CE • Specifications subject to change or variation without notice
 * Subject to standard terms and conditions

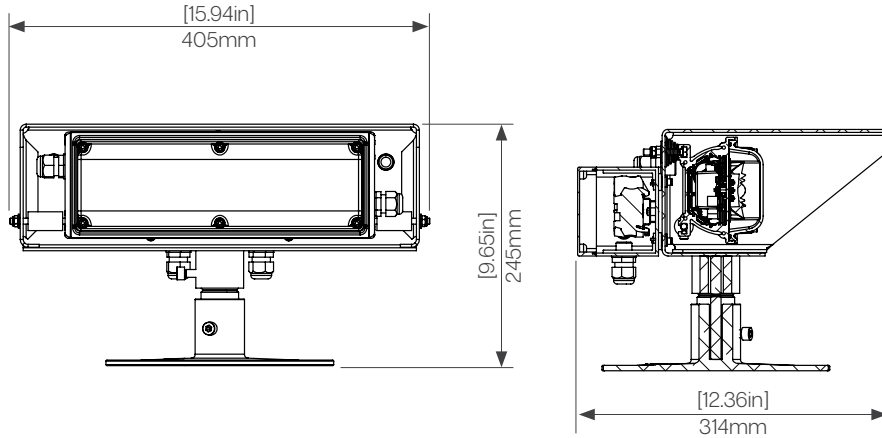
+1.800.806.3548 USA
 +1.916.394.2800 Worldwide

www.flightlight.com
sales@flightlight.com

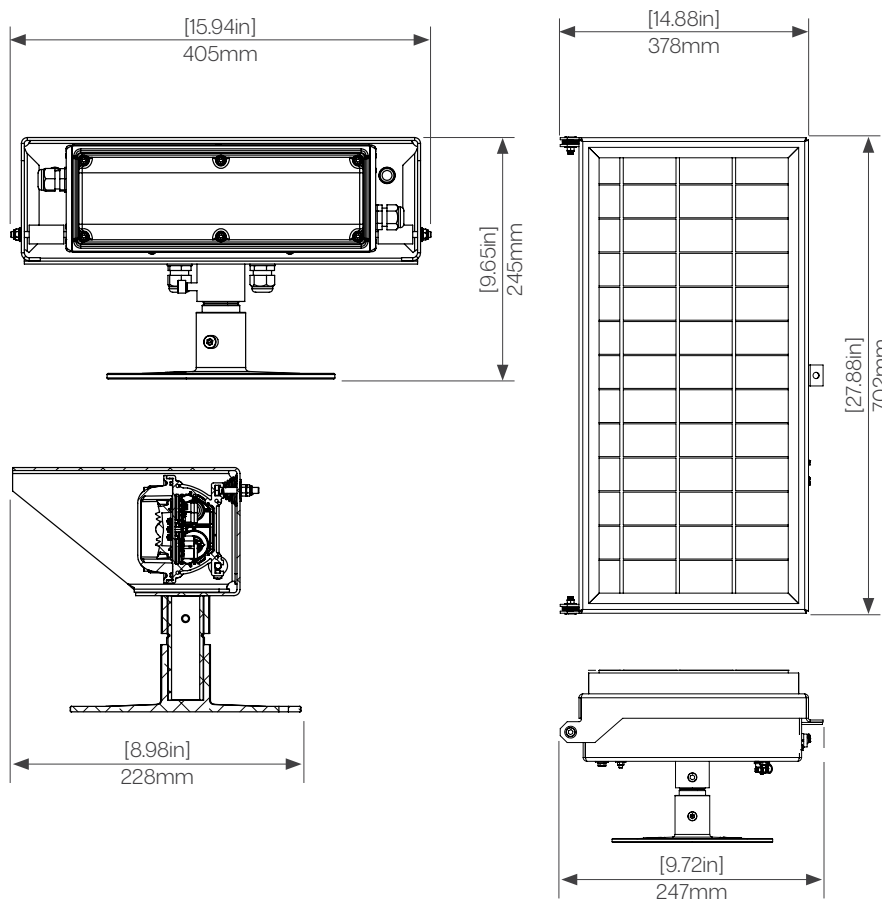
Flight Light Inc., 2708 47th Ave.
 Sacramento, CA, 95822, USA

Technical Illustrations

AV-HL-FL-DC and UM



AV-HL-FL-PV



How to Order Heliport Floodlight

AV-HL-FL-[?]-[?]

Product No.: _____

Input: _____

- PV = Self-Contained Solar
- DC = DC Input
- UM = AC (universal mains input)

Option Configuration: _____

- 00 = Base Build