

# A704-VL Solar Helipad and Taxiway Light

The A704-VL meets traditional helipad requirements in an easy-to-install, low maintenance package. Lights are third-party tested for ICAO and FAA compliance, and our proven technology platform offers 3 solar engine sizes.

## Applications

- Helipads
- Touchdowns and lift-off area (TLOF)
- Final approach and take-off area (FATO)
- Taxiway lighting
- NVG operations, covert-only mode
- Emergency or temporary lighting

## Advanced Design

- Improved optical efficiency with latest LEDs
- High-efficiency monocrystalline solar panels
- Reduced standby power consumption
- Multiple battery sizes for best value-for-performance
- Optional wireless control provides remote operation using either 900 MHz or 2.4 GHz communication

## Easy Installation

Limited crew. No trenching. No airfield interruptions. Just place the A704-VL and it emits light dusk-to-dawn while maintaining its battery.

## Low Maintenance

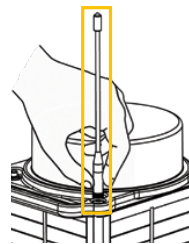
The A704-VL integrates solar panels, battery, electronics and LED light source into a compact, stand-alone unit requiring minimal maintenance for 7 years.

## Reliable

The Energy Management System (EMS) monitors all operations to provide consistent output in the harshest environments. Testing to ICAO, FAA and MIL specifications ensures high performance for many years.

## Trusted

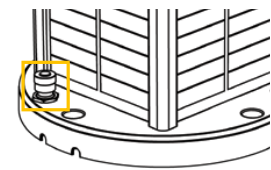
With thousands of installations worldwide, our solar LED lights operate year-round at over 500 airports and military bases.



Optional wireless control



Optional handheld controller  
- 900 MHz OR 2.4GHz with encrypted signal  
- Control 8 groups of lights



Optional military and barrel charge ports

**A704-VL Specifications**

SPECIFICATIONS		WEIGHTS AND DIMENSIONS	
Compliance	ICAO FATO (Annex 14, Vol. 1, 5.3.7.4 and Vol. 2, Appendix 1)	<b>COMPACT</b> 12.4 lbs (5.6 kg) Battery (60X) - 4.2V, 15 Ahr	
	ICAO TLOF (Annex 14, Vol. 1, 5.3.9.20 and Vol. 2, Appendix 1)		
	ICAO taxiway (Annex 14, Vol. 1, 5.3.18.8)		
	FAA L-861T (AC No. 150/5345-46D, EB67) FAA L-860HR (EB 87D, EB67D)		
Optical	High-powered LEDs meet IES LM-80 lumen maintenance ensuring consistent photometrics for life of product	<b>STANDARD</b> 16.4 lb (7.4 kg) Battery (96E) - 4.2V, 24 Ahr	
	ICAO, SAE25050 (FAA) and FAA EB 67 compliant chromaticity		
	NVG-compatible infrared (IR) LEDs Steady-on and flash, IR-only mode		
Solar Panel	High-efficiency solar cells with blocking diodes	<b>LARGE</b> 24.5 lbs (11.1 kg) Battery (200BC) - 4.2V, 50 Ahr	
	Maximum power point tracking with temperature compensation (MPPT-TC) for optimal energy collection in all solar conditions		
Battery	Pure-lead VRLA AGM battery with manufacturer operating range -85 to 176 °F (-65 to 80 °C)	<b>Energy Management System (EMS)</b> Intelligent, microprocessor Push button interface for local control Autonomous (dusk-to-dawn), temporary and emergency modes	
	Onboard battery status; Optional port for battery charging and cabled operation		
	Designed for 5-year battery life; Replaceable and recyclable 2500 cycles or 7-year lifetime on average		
Automatic Light Control (ALC)	When enabled, automatically adjusts to low levels of sunlight to ensure continuous operation	<b>Construction</b> Premium, UV-resistant polycarbonate lens (jet blast resistant glass lens available) Corrosion-resistant, powder-coated aluminum chassis with integrated handle Waterproof, vented battery compartment	
Temperature	-22 to 122 °F (-30 to 50 °C) Optimal	<b>Temperature</b> -22 to 122 °F (-30 to 50 °C) Optimal -40 to 176 °F (-40 to 80 °C) Maximum	
	-40 to 176 °F (-40 to 80 °C) Maximum		
Wind Loading	400 mph (644 kph)	<b>Bottom View</b> 200mm BOLT CIRCLE 6 HOLES 3 HOLE MOUNTING 4 HOLE MOUNTING 5.60" [141mm] diameter 0.62" [15.7mm] hole diameter	
Ice Loading	0.03 psi (22 kg/m <sup>2</sup> )		
Shock & Vibration	MIL-STD-202G and MIL-STD-810G		
Ingress	EN 60529 IP 67 immersion		
	MIL-STD-202G immersion & damp heat cycling		
	MIL-STD-810G rain & salt fog		

**CONFIGURATION**

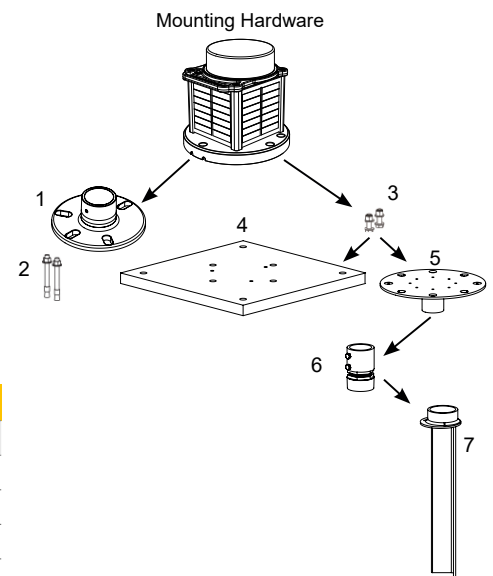
Model	Color	Solar Engine	Chassis	Lens	Control	Charge Port
A704-VL	White / IR Blue / IR Green / IR Yellow / IR	Compact Standard Large	Yellow Olive Drab	Polycarbonate Tempered Glass	Non-wireless Wireless (900 MHz) Wireless (2.4GHz)	None Charge Port Military Charge Port

**A704-VL Intensities (cd)**

A704-VL						
	Auto Low	Auto Medium	Auto High	Temp Low	Temp Medium	Temp High
White	4	10	25	25	75	250
Green	7	14	25	25	75	250
Yellow	6	12	25	25	75	250
Blue	3	7	10	13	16	19
Infrared/NVG (mW/sr)	16	34	80	16	34	80

**A704-VL Accessories**

MOUNTING		
REFERENCE	PN	DESCRIPTION
1	82612	Frangible floor flange
2	76520	Anchor bolt kit
3	76516	Standard bolt kit, 700 series (2x stainless steel bolts)
4	81802	16 x 16" rubber mat
5	65714	Standard mounting plate
6	65711	Frangible coupling, 1.5" pipe x 2 thread
7	38925	2" hub stake - 15" long
-	65717	Extended mounting plate



BATTERY/CHARGER		
REFERENCE	PN	DESCRIPTION
-	72890	Battery kit, A704 compact
-	72891	Battery kit, A704 standard
-	72892	Battery kit, A704 large
-	74314	Battery charger, A704 with military charge port, 100-240 VAC, 50/60 Hz
-	69885	Battery charger, A704 battery pack and barrel charge port, 100-240 VAC, 50/60 Hz

OPTICS		
REFERENCE	PN	DESCRIPTION
-	74690	Optical shield, 180 degree, several models
-	Inquire	Head kit, several models

MISCELLANEOUS PARTS		
REFERENCE	PN	DESCRIPTION
8	40865	A704 series bird deterrent
9	56150	Replacement antenna
10	-	Handheld Controller (see page 2 for additional wireless control options)
-	48984	Installation tool kit with 5/32" security bit for head/battery changes and small socket set

Miscellaneous Parts

